

Huaxing Lighting & Electrical Factory of Foshan

December 10, 2013

Kraftfahrt-Bundesamt
Förderstrasse 16
24944 Flensburg
Germany

Subject for ECE-type approval extension

Dear Sir:

We hereby apply for an ECE type-approval extension

Type	ECE / EEC Approval number	Extension
HALOGEN BULB PX26d	E4-37R-2J3	01

Concerning : Automotive Filament Lamp

Regulation : ECE Regulation No.37

Reason for extension : 1. Add new trade names (EIKO, WA light, Haila)
2. Add a new version (Bluish bulb)

Name and address of manufacturer : Huaxing Lighting & Electrical Factory of Foshan
No.2, Chuangye Road, Section C of Shishan Science &
Technology Industrial Zone, Nanhai District, Foshan City,
Guangdong, P. R. China (528225)

We confirm that the above application has not been submitted to any other Member State of the European Union, nor has any Member State of the European Union granted a corresponding type approval.

Yours faithfully,





THE NETHERLANDS
(N E D E R L A N D)



COMMUNICATION

Concerning⁽¹⁾:

- ~~APPROVAL GRANTED~~
- ~~APPROVAL EXTENDED~~
- ~~APPROVAL REFUSED~~
- ~~APPROVAL WITHDRAWN~~
- ~~PRODUCTION DEFINITELY DISCONTINUED~~

of a type of filament lamp pursuant to Regulation number 37.

Approval No.: E4-37R-03 2J3

Extension No.: 01

- | | | | |
|----|--|---|--|
| 1. | Trade name or mark of the device | : | HUAXING, JC, BRITECH, Förch, Förch eco., <u>EIKO, WA light, Haila</u> |
| 2. | Manufacturer's name for the type of device | : | HALOGEN BULB PX26d
Version 1: uncoloured bulb
<u>Version 2:Bluish bulb</u> |
| 3. | Manufacturer's name and address | : | Huaxing Lighting & Electrical Factory of Foshan
No 2 Chuangye Road, Section C of Shishan Science & Technology Industrial Zone, Nanhai District, Foshan City,Guangdong, P.R.China.(528225) |
| 4. | If applicable, name and address of the manufacturer's representative | : | --- |
| 5. | Submitted for approval on | : | December 10, 2013 |
| 6. | Technical service responsible for conducting approval tests | : | TÜV Rheinland Kraftfahrt GmbH
Technologiezentrum Verkehrssicherheit
Am Grauen Stein,
D-51105 Köln (Poll) |
| 7. | Date of report issued by that service | : | <u>January 17, 2014</u>
December 17, 2012 |
| 8. | Number of report issued by that service | : | <u>85-R37-062/14</u>
85-R37-678/12 |



9. Brief description
- Category of filament lamp : H7
- Rated voltage : 12V
- Rated wattage : 55W
- Colour of the light emitted : White / ~~selective yellow / amber / red~~⁽¹⁾
- Colour coating on glass bulb : Version 1: ~~yes~~/ no⁽¹⁾
Version 2: yes/ ~~no~~⁽¹⁾
- Halogen filament lamp : yes / ~~no~~⁽¹⁾
10. Position of approval mark : On the ring of lamp base.
11. Reason(s) for extension (if applicable) : See appendix 0.
12. Approval : ~~granted~~ / extended / ~~refused~~ / ~~withdrawn~~⁽¹⁾
13. Place : Zoetermeer
14. Date : 13-FEB-2014
15. Signature :


Uwe Löbig



16. The following documents, bears the approval number shown above, are available on request.
- Information document (3 pages)
 - Test report

(1) Strike out what does not apply.

List of modifications

Appendix 0

Correction of : ---

Modification of : ---

Addition of : 1. new trade names (EIKO, WA light, Haila)
2. a new version (Bluish bulb)

Deletion of : ---



PARTIAL MODEL INFORMATION DOCUMENT NO. HUAXING PX26d -00

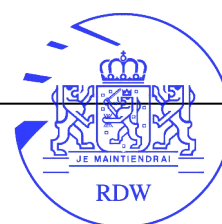
**PURSUANT TO UNIFORM PROVISIONS CONCERNING THE APPROVAL OF FILAMENT LAMPS
FOR USE IN APPROVED LAMP UNITS OF POWER DRIVEN VEHICLES AND OF THEIR TRAILERS**

ECE-R37
including all amendments until
Amend. 03 Suppl. 41

Type: HALOGEN BULB PX26d

This model information document consists of page 1 to 3

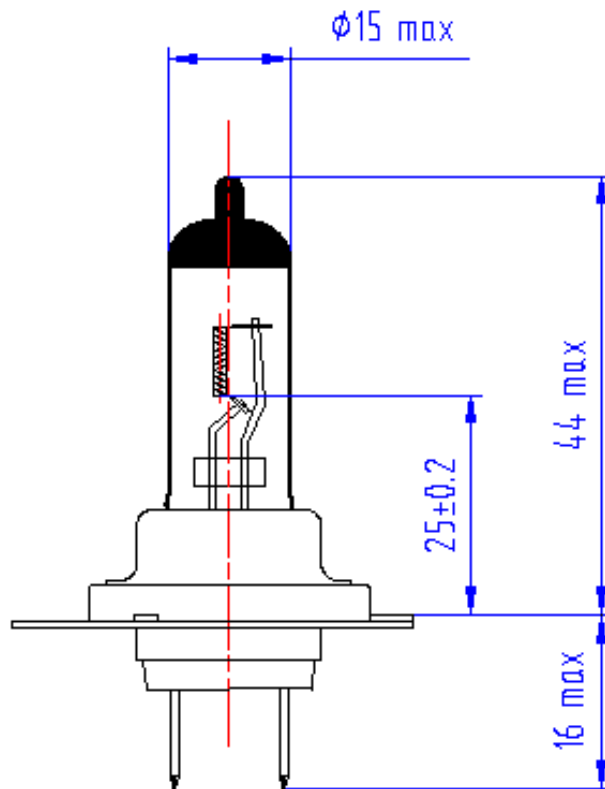
: modification
@ : new
∞ : correction



Technical information of the ECE type approval

- 1 Trade name or mark of the device : HUAXING, JC, BRITECH, Förch, Förch eco., EIKO, WA light, Haila @
- 2 Manufacturer's name for the type of device : HALOGEN BULB PX26d
Version 1: uncoloured bulb
Version 2: Bluish bulb @
- 3 Manufacturer's name and address : Huaxing Lighting & Electrical Factory of Foshan
No.2, Chuangye Road, Section C of Shishan Science & Technology Industrial Zone, Nanhai District, Foshan City, Guangdong, P. R. China (528225)
- 4 If applicable, Name and address of manufacturer's representative : Not applicable
- 5 Submitted for approval on : December 10, 2013
- 6 Concise description
- Category of lamp : H7
- Rated voltage : 12V
- Rated wattage : 55W
- Colour of light emitted : ~~white/selective yellow/amber/red~~
Version 1: ~~yes~~/ no
Version 2: yes/ ~~no~~
- Colour coating on glass bulb :
Version 2: yes/ ~~no~~
- Halogen filament lamps : yes/~~no~~
- 7 Position of the approval mark : on the ring of lamp base
- 8 Reason(s) for extension : 1. Add new trade names (EIKO, WA light, Haila)
2. Add a new version (Bluish bulb)
- 9 Drawing : see page 3





BRAND	HUAXING, JC, BRITECH, Förch, Förch eco. <u>EIKO</u> , WA light, Haila @
TYPE, UV mark	H7 24V 70W U
E-mark	<p>Diagram illustrating the E-mark dimensions:</p> <ul style="list-style-type: none"> Mark: E 4 Mark: XXX Dimension $a = 3.0 \text{ mm}$ Other dimensions: $\frac{2a}{3}$, $\frac{a}{2}$, $\frac{4a}{3}$



Manufacturer : Huaxing Lighting & Electrical Factory of Foshan
Type : HALOGEN BULB PX26d

TEST REPORT

according to ECE-Regulation

Uniform provisions concerning the approval of filament lamps for use in approved lamp units of power-driven vehicles and of their trailers

ECE-R 37

including all amendments until

**series of Amendments: 03
Supplement 41**

Previously granted	
ECE - certificate	: ---

Structure of report:

0. General information
1. Test object(s) and general test information
2. Test minutes
3. Remarks concerning tested object(s)
4. Appendices
5. Statement of conformity

Manufacturer : Huaxing Lighting & Electrical Factory of Foshan
Type : HALOGEN BULB PX26d

0. General information

- 0.1. Trademark or trade name of the lamp : JC
- 0.2. Manufacturer's name for the type of the lamp : HALOGEN BULB PX26d
- 0.3. Name and address of the manufacturer : Huaxing Lighting & Electrical Factory of Foshan
No 2 Chuangye Road, Section C of Shishan Science & Technology Industrial Zone, Nanhai District, Foshan City, Guangdong, P.R.China.(528225)
- 0.4. Name and address of manufacturer's authorized representative : not applicable
- 0.5. No. of information folder : HUAXING PX26d-01
date of issue : December 10, 2013
date of last amendment : ---

1. Test object(s) and general test information

- 1.1. Test object(s)
- identification number : HALOGEN BULB PX26d
- version : Version 1: uncoloured bulb
Version 2: Bluish bulb
- Samples : 5 pieces/ version
- Remark : ---
- 1.2. General test information
- 1.2.1. Order issued by (if different from manufacturer) : ---
- 1.2.2. Test object / test vehicle received on : December 10, 2013
- 1.2.3. Test date : December 10, 2013
- 1.2.4. Test site : Shaanxi Electric Lighting Source Industrial Product Quality Supervision and Inspection Stantion
- 1.2.5. Remark : The results of the test refer exclusively to the object(s) mentioned under point 1.1 of this report.
The type has been tested according to the amendments mentioned in appendix 0.
~~The actual test was not necessary and the results of the previous tests are still valid.~~

Manufacturer : Huaxing Lighting & Electrical Factory of Foshan
 Type : HALOGEN BULB PX26d

2. Test minutes

2.1. Test facilities : The test facilities are in compliance with the requirements of the Regulation.

2.2. Test results : The filament lamp had been tested, regarding the exterior characteristics, geometrical position of filament, shape and its electrical and photometric characteristics.

2.2.1 Markings : The trade names / ~~commercial descriptions~~, category of filament lamp, rated voltage and rated wattage are marked clearly legible and indelible on the back housing of the cap.

The approval mark is arranged on the ring of filament lamp as described in the technical description and drawings.

2.3. General specifications : The filament lamp is designed as to be and to remain in good working order when in normal use. The tested samples moreover did exhibit no fault in design or manufacture.

2.4. Manufacture : The filament lamp samples did exhibit no scores or spots which might impair their efficiency and their optical performance.

The filament lamps are equipped with standard caps complying with the cap data sheets of IEC Publication 60061, third edition, as specified of the individual lamp data sheet of annex 1 in ECE-R37.

The cap is strong and firmly secured to the bulb.

2.5. Test conducted : The filament lamp samples had been aged at their test voltage for approximately one hour.

The position and dimensions of the filaments had been measured with the filament lamps being supplied with current at from 90% to 100% of the test voltage.

2.5.1 Electrical and photometric characteristics

Version 1: uncoloured bulb

	Sample No.					Rated values
	1	2	3	4	5	
Voltage (V)	13.2					13.2V
Current (A)	4.29	4.29	4.28	4.29	4.27	/
Wattage (W)	56.68	56.59	56.55	56.58	56.31	58 max.
Luminous flux (Lm)	1441	1437	1426	1441	1445	1350~1650

Manufacturer : Huaxing Lighting & Electrical Factory of Foshan
 Type : HALOGEN BULB PX26d

Version 2: Bluish bulb

	Sample No.					Rated values
	1	2	3	4	5	
Voltage (V)	13.2					13.2V
Current (A)	4.327	4.348	4.292	4.331	4.315	/
Wattage (W)	57.1	57.4	56.6	57.2	57.0	58 max.
Luminous flux (Lm)	1573	1559	1511	1591	1513	1350-1650

The requirements regarding the maximum wattage and allowable minimum and maximum luminous flux values had been met.

2.5.2. Colour : The filament lamps are uncoloured bulbs for version 1. The samples fulfil the requirement according to Par. 3.6 of the Regulation.
The filament lamps are bluish bulbs for version 2. The samples fulfil the requirement according to Par. 3.6 of the Regulation.

2.5.3. UV-radiation (Version 1) : Set of criteria k_1 and k_2 for validation of UV radiation according to Par. 3.7 of the Regulation.

sample No.	1	2	3	4	5
$k_1(\leq 2 \times 10^{-4})$ W/lm	6.71×10^{-5}	6.51×10^{-5}	6.24×10^{-5}	6.39×10^{-5}	6.28×10^{-5}
$k_2(\leq 2 \times 10^{-6})$ W/lm	$< 2 \times 10^{-6}$	$< 2 \times 10^{-6}$	$< 2 \times 10^{-6}$	$< 2 \times 10^{-6}$	$< 2 \times 10^{-6}$

The requirements regarding the UV-radiation had been met.

2.5.4. Position and dimensions of filament lamp (Version 1)

Dimensions	Measurements in mm for sample No.					Rated values
	1	2	3	4	5	
e	25.03	24.95	25.02	24.93	24.91	In the tolerance box system
f	4.24	4.39	4.27	4.29	4.26	In the tolerance box system
g	0.63	0.92	1.09	0.80	0.88	0.5 min
h1/A	0.14	0.05	-0.08	0.02	-0.10	In the tolerance box system
h2/A	-0.05	-0.13	0.02	-0.08	-0.09	In the tolerance box system
h1/B	-0.06	0.10	0.03	-0.03	-0.08	In the tolerance box system
h2/B	-0.11	-0.10	-0.11	-0.17	-0.07	In the tolerance box system
$\gamma 1$	66.67	66.85	63.72	67.40	66.85	40° min.
$\gamma 2$	56.82	59.10	62.93	61.10	59.10	50° min.
$\gamma 3$	32.55	32.02	32.08	32.15	33.10	30° min.

The requirements regarding the prescribed dimensions and tolerances had been met.

Manufacturer : Huaxing Lighting & Electrical Factory of Foshan
Type : HALOGEN BULB PX26d

3. Remark concerning tested object(s)

All versions of the filament lamp type as stated in the information document are covered with the filament lamp version(s) and test object(s) respectively.

4. Appendices

0 List of modifications

Information folder no. : HUAXING PX26d-01

5. Statement of conformity

The information folder and the type described there comply with the requirements in the above mentioned regulation.

The test laboratory is accredited for the above mentioned tests by the RDW, Vehicle Technology and Information Centre, the Netherlands:

Designation Number: RDW-99050014-06.

The test report comprises the pages 1 to 6 (including appendix 0) and shall not be reproduced except in full without the written approval of the test laboratory.

Engineering center Guangdong, January 17, 2014
ND/CGC



B.S.M.E. N.Deng

Manufacturer : Huaxing Lighting & Electrical Factory of Foshan
Type : HALOGEN BULB PX26d

List of modifications

Appendix 0

- Correction of : ---

- Modification of : ---

- Addition of : 1. new trade names (EIKO, WA light, Haila)
2. a new version (Bluish bulb)

- Deletion of : ---